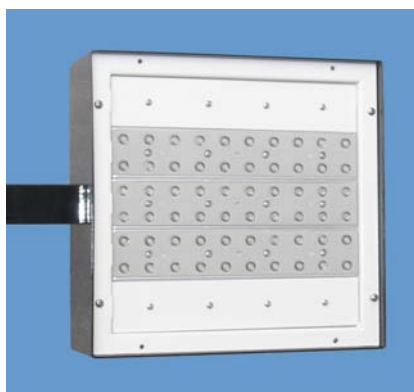


# Shoebox Series Overhead Light

**SolarOne**<sup>®</sup>  
Lighting



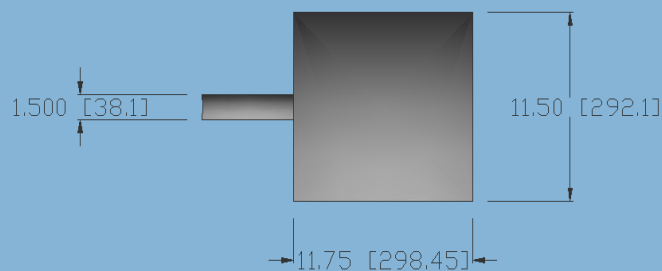
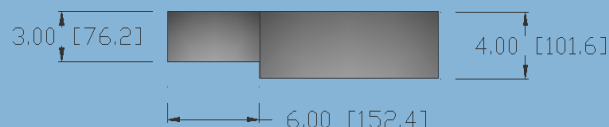
SolarOne's Shoebox Series Overhead Light is designed to produce highly efficient white light in a controlled distribution pattern. This results in exceptional uniformity and improved spacing. The Shoebox Series Overhead Light is suitable for a large variety of applications, including: pathways, sidewalks, waiting areas, low-security parking lots, and campuses. The system includes solar panel, two-axis adjustable panel mounting system, Shoebox style fixture, one to four high-efficiency LED lamps, NEMA 3R battery enclosure 116 or 232 amp-hour sealed battery, So\*Bright™ advanced lighting controls with Max Power Tracking. Fitting can be reconfigured to complement a variety of applications, pole types and sizes.



## Features

- Controlled Type 3 or Type 5 Distribution
- Holds one to four high-lumen LED Lamps
- Meets full cut-off requirements of the IESNA AND IDA- virtually eliminating light pollution
- Sturdy .079" die-formed aluminum construction
- Stainless steel hardware
- Polyester powder coat finish
- Up to 3000 lumens and 50,000 hour bulb lifetime
- Three standard Power Packages available
- Adjust timing and Light Levels with Remote Control
- Configurable to a variety of pole types and sizes

## LOS

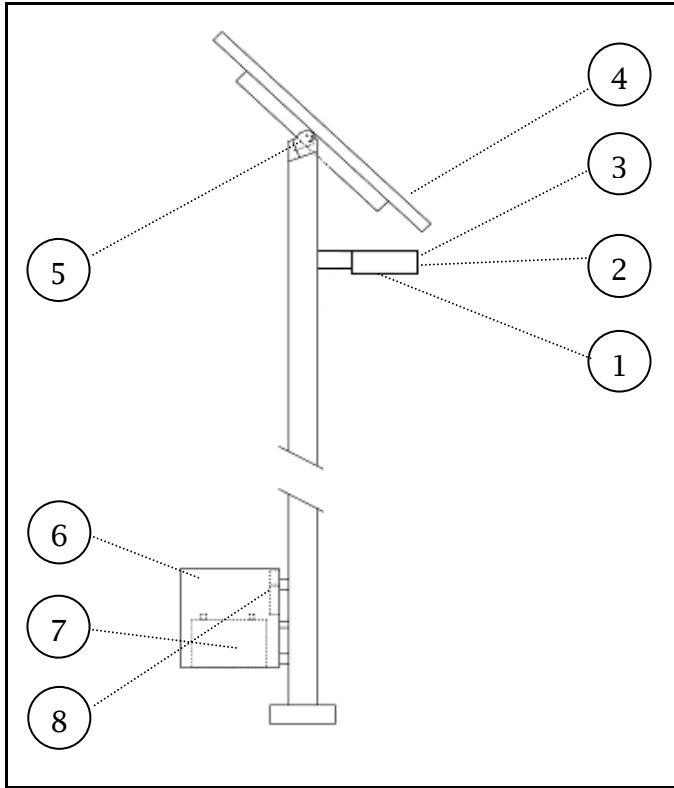


Inches [mm]

All SolarOne Systems feature So\*Bright™ Technology, making them the "Smartest Lights in the World." Only So\*Bright manages brightness and adapts to low power conditions to ensure that you never leave your facility in the dark.



## Anatomy of a SolarOne Light



- 1. White LED Lamps** –The lamps offer high brightness, high color rendering, and 50,000 hr life at 70 lumens per watt, 750, 1500, 2250 or 3000 lumens. Lamps are full cut-off, producing 0 lumens above 90 degrees and less than 10% light output between 80 and 90 degrees.
- 2. LED Driver** – Constant current driver precisely controls light levels with up to 256 digital states. One driver per lamp.
- 3. LOS Fixture** – Die-formed aluminum construction. Holds from 1 to 4 lamps.
- 4. Solar Panel** – Poly-crystalline solar panel in 50, 80 or 120 watts. Twenty year power output warranty.
- 5. Panel Mounting** – Aluminum fixture allows 360° horizontal panel rotation using stainless ¼-20 allen-head set screws and vertical angles from horizontal (equatorial latitudes) to 70° (northern latitudes).
- 6. Battery Enclosure** –NEMA 3R rainproof, vented, aluminum enclosure with cover, mounting bracket and padlock hasp.

- 7. Batteries** – One or two sealed 116amp-hour, 12volt, spill-proof, maintenance free AGM batteries with fused battery harness.
- 8. So\*Bright Controls** – The smartest, most versatile solar lighting controls available. Set timing, light-levels, and energy management options using a wireless remote control.

**Fixture EPA:** 0.493 sq-ft (0.05 sq-m)  
**Fixture Weight:** 10 lbs (4.54 kg)

**Accessories:**  
 Ground Rod Kit  
 Data Logger

**For more information see:**  
 High Lumen LED Lamp Spec Sheet  
 Power Package Spec Sheet  
 So\*Bright Controls Spec Sheet  
 Pathway photometric plots  
 Poles Spec Sheet

## How to Specify Fixture

**LOS** - -  
 Series                      Lamping                      Energy Package

Series		Lamping		Energy Package	
<b>LOS</b>	Solar LED Overhead Shoebox Light	<b>1-HL750T3</b> <b>2-HL1500T3</b> <b>3-HL2250T3</b> <b>4-HL3000T3</b> <b>1-HL750T5</b> <b>2-HL1500T5</b> <b>3-HL2250T5</b> <b>4-HL3000T5</b>	Single LED Lamp Type III Double LED Lamp Type III Triple LED Lamp Type III Quad LED Lamp Type III Single LED Lamp Type V Double LED Lamp Type V Triple LED Lamp Type V Quad LED Lamp Type V	<b>Econ</b> <b>Mid</b> <b>Super</b>	Economy, 50W PV, 116Ahr battery Midsized, 80W PV, 116Ahr battery Super, 120W PV, 232Ahr battery

*The pole is specified separately. Please see pole selection guide.*

## Photometry, Type III Distribution (Type V Distribution available upon request)

