

## Features

- Direct-read 8-digit LCD display of:
  - Delivered kWh
  - Received kWh
  - Net kWh
  - Real-time kW load
- Meter provides load profile data of delivered kWh, delivered kVARh and received kWh along with real-time readings of Power Factor, kW, kVA, kVAR, Amps per phase, Volts per phase and Frequency; available via E-Mon Energy software.
- Displays total CO2 emissions in pounds (lbs.) and indicates hourly emissions based on metered load.
- Communication options include:
  - Telephone Modem
  - RS-232/RS-485
  - Ethernet
- MV-90 Compatible.
- 0-2 volt output split-core current sensors promote enhanced safety and allow remote mounting of current sensors up to 500 feet from meter without power interruption. (Optional solid-core sensors available.) Parallel up to (3) sets of current sensors for cumulative reading.
- Current sensor installation diagnostic indicator.
- Non-volatile memory.
- Industrial-grade JIC steel enclosure with padlocking hasp and mounting flanges for indoor installations with 1 1/16" KO (3/4" Cond.) on bottom of enclosure.
- Optional NEMA 4X Raintight Enclosure
- UL Listed/CSA Approved.
- Meets ANSI C12.1 and C12.16 electronic meter National Accuracy Standards.
- Listed as eligible system performance meter by California Solar Initiative Emerging Renewables Program.



Dimensions: 7 1/4" H x 7" W x 3 1/4" D

## Model Numbers

120/208-240V, 3-Phase, 4W  
240V, 3-Phase, 3W  
GN208100 KIT (100 amp)  
GN208200 KIT (200 amp)  
GN208400 KIT (400 amp)  
GN208800 KIT (800 amp)  
GN2081600 KIT (1600 amp)  
GN2083200 KIT (3200 amp)

277/480V, 3-Phase, 4W  
480V, 3-Phase, 3W  
GN480100 KIT (100 amp)  
GN480200 KIT (200 amp)  
GN480400 KIT (400 amp)  
GN480800 KIT (800 amp)  
GN4801600 KIT (1600 amp)  
GN4803200 KIT (3200 amp)

## Options

Telephone Modem (Suffix M)  
Ethernet Communications (Suffix E)

NOTE: All meter kits include one set of three (3) split-core current sensors

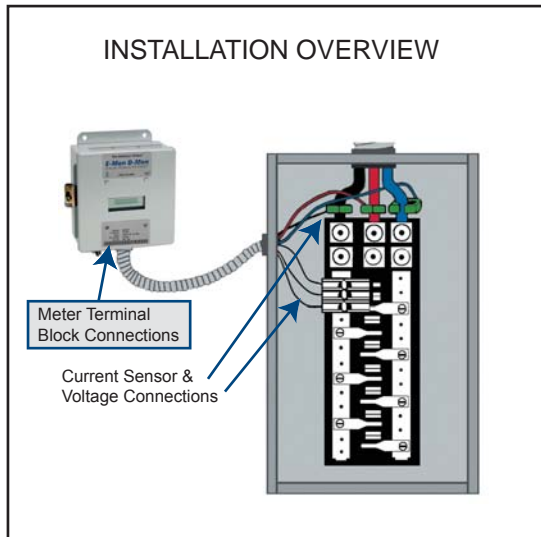
For outdoor enclosure add suffix "R" to the model number. e.g., GN208200R KIT

# INSTALLATION OVERVIEW

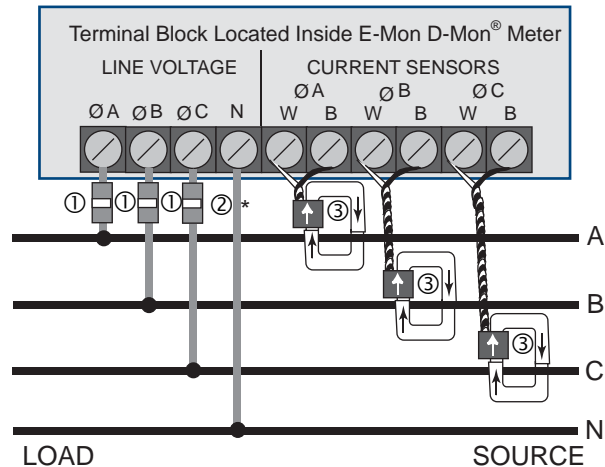
## CLASS 1000, 2000 and 3000 Meters

**E-Mon D-Mon**

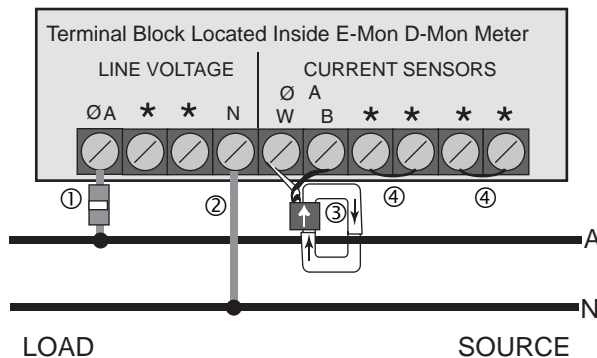
Energy Monitoring Products & Systems



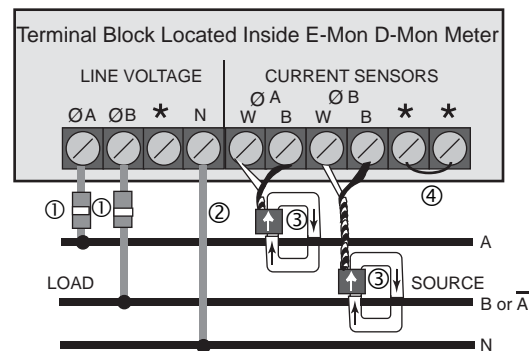
### 3-PHASE, 3-WIRE OR 3-PHASE, 4-WIRE INSTALLATION DIAGRAM



### 1-PHASE, 2-WIRE 120 or 277 VOLT INSTALLATION DIAGRAM (Class 1000 Series Only)



### SINGLE-PHASE, 3-WIRE 120/240, 120/208 or 480 VOLT INSTALLATION DIAGRAM



\* These terminals are not used in Class 1000 installations.

- ① Recommended fuses or circuit breaker per the National Electrical Code (Meter load 6VA.)
- \*② Neutral not required in delta system.
- ③ Split-core current sensors. Install according to instructions.
- ④ Install jumper.

Typical Fuses: Littlefuse KLDR.1.00 (Consult local electrical codes for requirements.)